



GRAND

PREMIUM RIGID INFLATABLE BOATS

INTRODUCTION

Delivering boating excellence & joy on the water for 20 years... For over two decades, we have specialized in the manufacturing of premium rigid inflatable boats and tenders. Inspired by a love of design, ergonomics and performance, we strive to elevate the boating experience by blending purposeful practicality with refined styling. Now with over 30,000+ boats sold worldwide, our original passion continues to underpin and transform the considered approach we take to our boats.

GOLDEN LINE	_____	06
DRIVE LINE	_____	52
SILVER LINE	_____	66
TECHNICAL DATA	_____	80
DISTRIBUTION NETWORK	_____	82



DESIGN & SAFETY

With safety at the core, we strive for design perfection in every single one of our boats. From our large family cruising RIBs down to the smallest inflatable tender, we consider crucial factors such as maneuverability, handling, stability, structural integrity and buoyancy at every touch point. Our designers and engineers utilize advanced software before going into technical production where every point and angle of a boat is examined from a safety and functionality perspective. At our final on-water tests, our team validate the boat's seakeeping, buoyancy and stability in practice to ensure we attain the highest level of safety.



STANDARDS & QUALITY

As a long-term leader in rigid inflatable boat manufacturing, our RIBs have established an industry-wide reputation for the highest standards of quality and reliability. Before they are released, every single model in the Grand range is certified by ISO International Standards, and is built in compliance with CE, UKSA, USSG and EPA requirements. Every aspect of production is done in-house, enabling us to perform quality control inspections at each stage to ensure that all aspects of the boat – from the hull, fiberglass parts and accessories, inflatable tubes, stainless steel fittings down to the very stitching of the upholstery – meet the standards we adhere to.

PRODUCTION & MATERIALS

European craftsmanship, technology and world-class materials are at the heart of every Grand RIB. While advanced technology underpins our production and ensures manufacturing accuracy, our team of experienced crafters bring a high-touch, personal approach to our boats, carrying out each step of the boatbuilding themselves. From fiberglass moulding to fabric cutting & stitching, gluing and assembling, we take an attentive and considered approach to every stage of the build. We are selective in the materials that we use too, utilizing only the best materials from the world's leading brands, including Scott Bader Gelcoats, ORCA Hypalon, Heytex Reinforced Polyester, Spradling Marine Upholstery, SeaDek Flooring and more.



DISTRIBUTION & DEALERS

Grand Inflatable Boats are available in over 40 countries worldwide, represented by over 30 Authorized Regional Distributors and Dealers. It is here that our personal, high-end approach continues, with these marine industry leaders extending personable service and exceptional aftercare experiences to our clients. Our distributors are committed to guaranteeing availability of our models, ensuring that our boats are accessible to boating enthusiasts all around the world.

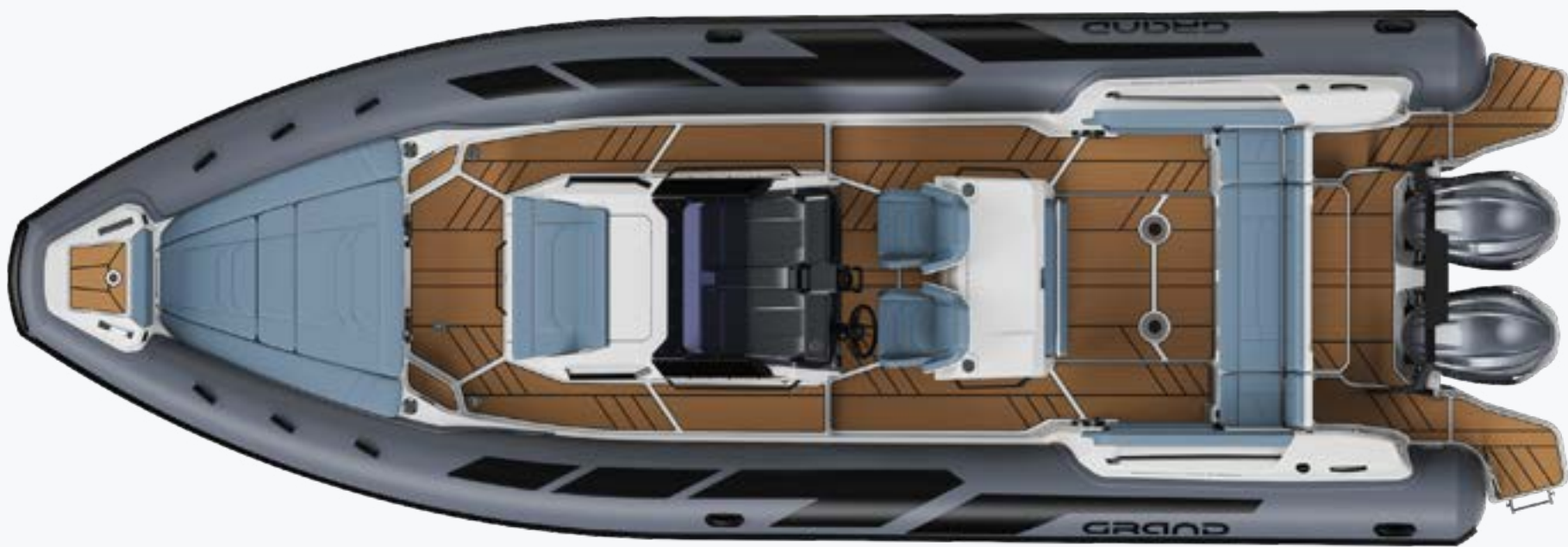


GOLDEN LINE SERIES

Offering thrilling performance and unparalleled comfort, discover the Golden Line series - our high-end range of recreational luxury RIB boats and premium yacht tenders. Go offshore exploring with a unique style and serenity in mind, driving our thoughtful cruisers. Navigate and ride around the bay with our multifunctional riders-tender boats. Complemented with an extensive range of options and upgrades for enhanced convenience and experience, our Golden Line RIBs deliver you the most exclusive, memorable and quality family boating.



NEW GOLDEN LINE
G980



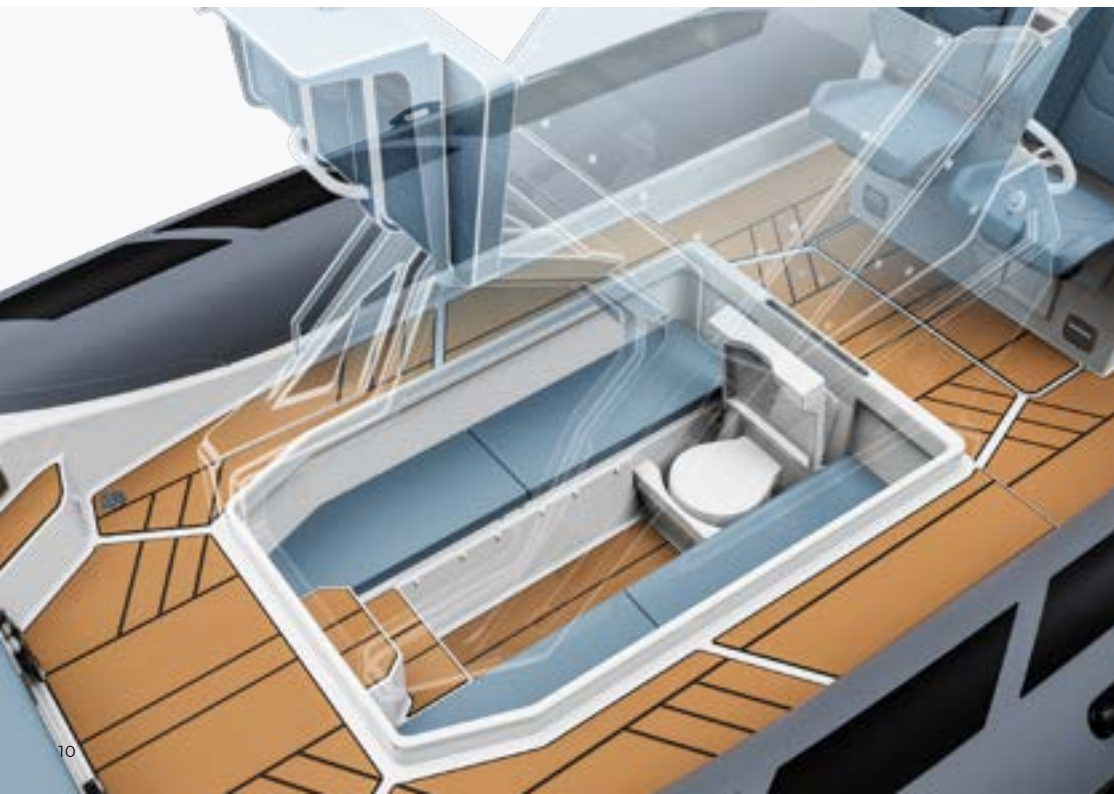


GOLDEN LINE G980

LENGTH	BEAM	MAX POWER
1000 cm	340 cm	1 x 700 hp 2 x 350 hp
CAPACITY	ENGINE SHAFT	WEIGHT
12/18	1 x XXL 2 x XL	2350 kg



Crisp and major. Our fresh release of 2026 season - large inflatable boat with outboard up to 700HP and optional twin engine installation. It is an "another level" boat for Grand, built to lead into the new era of cruising and to become our one true flagship. Introducing huge sleeping cabin with twin bed and featuring all the "must have" options, this offshore rated RIB is your best adventure partner to take you and your family away to explore distances. Live your adventures through.





STANDARD FEATURES

- Fiberglass two-stepped deep-V hull with self-bailing anti-skid deck
- Anchor and transom lockers, bow and rear storage compartments
- Multi-chamber inflatable tube with handles
- Bow step platform with mooring cleats
- Steering console with windshield and sleeping cabin
- Dashboard for up to 2x16" screen, with glove box and cupholder
- Helm & passenger seat / bolster with functional wet bar and folding back seat
- U-shaped deck integrated rear seating sofa with folding side seats
- Integrated transom and rear swimming platforms with ladder
- Set of seating cushions and backrests, bow sundeck & cabin bed
- Inbuilt fuel system with 1x600lit / 1x158gal tank
- Integrated cupholders, rear handrails, cleats, towing & lifting eyes
- Electrical package for boat & console
- Pump, paddles and maintenance kit
- Black powder coated stainless steel
- SeaDek soft anti-skid flooring`



OPTIONAL EQUIPMENT

- Waterski & navigation roll bar
- Bow railings, on-tube installation
- Premium steering wheel
- Removable rear sundeck-table kit
- WC set with toilet and blackwater tank
- Freshwater set with shower, sink and faucet
- Refrigerator-freezer, stainless steel, up to 2 units
- Gas kitchenette / stove
- Anchor set with electric windlass
- Bow manoeuvring thruster
- Rigid hard-top
- Bow and rear canvas suntop extensions (w/ Hard-top only)
- Overall, consoles and harbour covers
- Tube protector package
- Overpressure valves



GOLDEN LINE G850

LENGTH	BEAM	MAX POWER
850 cm	295 cm	1 x 400 hp 2 x 200 hp
CAPACITY	ENGINE SHAFT	WEIGHT
12/16	1 x XXL 2 x XL	1200 kg



Size and power. A large inflatable boat with outboard up to 400HP and optional twin engine installation. Functional and luxurious, G850 is a spacious center console cruiser, that provides smooth and safe navigation exploring distances.

With an extensive list of accessory options such as freshwater system, heads and fridge, G850 is an offshore RIB well suited for both, a quiet family trip and a noisy party on the water. Create your own memories with style.





G850

STANDARD FEATURES

- Fiberglass deep-V hull with self-bailing anti-skid deck
- Anchor locker, bow and rear storage compartments
- Multi-chamber inflatable tube with handles
- Bow step plate with mooring cleats
- Steering console with windshield, seat and inside chamber
- Dashboard for up to 2x16" screen, with glove box and cupholders
- Helm & passenger seat / bolster with functional wet bar
- U-shaped deck integrated rear seating sofa
- Set of seating cushions and backrests
- Inbuilt fuel system with 300lit / 79gal tank
- Integrated cupholders, handrails, cleats, towing & lifting eyes
- Electrical package for boat & console
- Pump, paddles and maintenance kit

OPTIONAL EQUIPMENT

- Inside-transom platform with two rear rope lockers
- Navigation & waterski mast with GRP top
- Rear swimming platforms with ladder and handrail
- Bow railings, on-tube installation
- Hydraulic steering system
- Premium steering wheel
- Removable rear sundeck kit
- Removable table with cupholders
- WC set with toilet and blackwater tank
- Freshwater set with shower, sink and faucet
- Refrigerator-freezer, stainless steel
- Anchor set with electric windlass
- Rigid hard-top OR canvas bimini-top
- Bow and rear canvas suntop extensions (w/ Hard-top only)
- Overall, consoles and harbour covers
- SeaDek soft anti-skid flooring
- Keel & tube protector packages
- Black powder coated stainless steel upgrade
- Overpressure valves



GOLDEN LINE G750

LENGTH	BEAM	MAX POWER
730 cm	285 cm	300 hp
CAPACITY	ENGINE SHAFT	WEIGHT
10/14	XL	950 kg



Style and comfort. A modern and aesthetically pleasing in design, and rich in options, G750 is a large offshore center console boat with a highly functional and well-thought layout.

Surprising with marine heads, refrigerator, extensive sunbeds and countless other features, this luxury RIB takes the comfort and the whole on-water experience to another level. Set on a relaxing and carefree adventure cruise with friends and family.





G750

STANDARD FEATURES

- Fiberglass deep-V hull with self-bailing anti-skid deck
- Anchor and transom lockers, bow and rear storage compartments
- Multi-chamber inflatable tube with handles
- Bow step plate with mooring cleats
- Steering console with windshield, seat and inside chamber
- Dashboard for up to 2x17" screen, with glove box and cupholders
- Helm & passenger seat / bolster with functional wet bar
- U-shaped deck integrated rear seating sofa
- Set of seating cushions and backrests
- Inbuilt fuel system with 260lit / 68gal tank
- Integrated cupholders, handrails, cleats, towing & lifting eyes
- Pump, paddles and maintenance kit

OPTIONAL EQUIPMENT

- Navigation & waterski mast with GRP top
- Rear swimming platforms with ladder and handrail
- Electrical package for boat & console
- Bow railings, on-tube installation
- Hydraulic steering system
- Premium steering wheel
- Removable bow sundeck kit
- Removable rear sundeck kit
- Removable table with cupholders
- WC set with toilet and blackwater tank
- Freshwater set with shower, sink and faucet
- Refrigerator-freezer, stainless steel
- Anchor set with electric windlass
- Rigid hard-top OR canvas bimini-top
- Bow and rear canvas suntop extensions (w/Hard-top only)
- Overall, consoles and harbour covers
- SeaDek soft anti-skid flooring
- Keel & tube protector packages
- Black powder coated stainless steel upgrade
- Overpressure valves



GOLDEN LINE G680

LENGTH	BEAM	MAX POWER
680 cm	264 cm	200 hp
CAPACITY	ENGINE SHAFT	WEIGHT
12	XL	740 kg



Fresh and clever. A modern rigid inflatable boat, released back in 2024 season, G680 is a midsize center console that has combined our classic style with advanced and thoughtful design, to deliver a complete modern day cruising experience.

Featuring a large refrigerator-freezer, freshwater system with sink and absolutely huge sunbeds, it is a functional, spacious and luxury leisure boat. Discover the true comfort and tranquil boating within.





G680

STANDARD FEATURES

- Fiberglass deep-V hull with self-bailing anti-skid deck
- Anchor and transom lockers, bow and rear storage compartments
- Multi-chamber inflatable tube with handles and GRP stepends
- Bow step plate with mooring cleats
- Steering console with windshield, seat and storage
- Dashboard for up to 16" screen, with glove box and cupholders
- Helm & passenger seat / bolster with functional wet bar
- U-shaped deck integrated rear seating sofa
- Set of seating cushions and backrests
- Inbuilt fuel system with 200lit / 52gal tank
- Integrated cupholders, handrails, cleats, towing & lifting eyes
- Pump, paddles and maintenance kit

OPTIONAL EQUIPMENT

- Navigation & waterski mast with GRP top
- Rear swimming platforms with ladder and handrail
- Electrical package for boat & console
- Bow railings, on-tube installation
- Hydraulic steering system
- Premium steering wheel
- Removable bow sundeck kit
- Removable rear sundeck kit
- Removable table with cupholders
- Freshwater set with shower, sink and faucet
- Refrigerator-freezer, stainless steel
- Anchor set with electric windlass
- Rigid hard-top OR canvas bimini-top
- Bow and rear canvas suntop extensions (w/Hard-top only)
- Overall, consoles and harbour covers
- SeaDek soft anti-skid flooring
- Keel & tube protector packages
- Black powder coated stainless steel upgrade
- Overpressure valves



GOLDEN LINE G650

LENGTH	BEAM	MAX POWER
650 cm	265 cm	200 hp
CAPACITY	ENGINE SHAFT	WEIGHT
12	L	620 kg



Famous and finest. Our legendary model proven with time and hundreds of happy customers worldwide. It is another midsize center console RIB, designed with functionality in mind.

Spacious, efficient and rich in options such as large bow & rear sundecks, freshwater set and others, it is a fair semi rigid that has become our all time best inflatable boat model for a relaxing family recreational use. Behold the time tested reliability and luxurious comfort





G650

STANDARD FEATURES

- Fiberglass deep-V hull with self-bailing anti-skid deck
- Transom lockers, bow and rear storage compartments
- Multi-chamber inflatable tube with handles and GRP steps
- Bow step plate with mooring cleat
- Steering console with windshield, seat and storage
- Dashboard for up to 12" screen, with glove box
- Helm & passenger seat / bolster with cupholders
- U-shaped deck integrated rear seating sofa
- Set of seating cushions and backrests
- Inbuilt fuel system with 200lit / 52gal tank
- Integrated cupholders, handrails, cleats, towing & lifting eyes
- Pump, paddles and maintenance kit

OPTIONAL EQUIPMENT

- Navigation & waterski mast with GRP top
- Rear swimming platforms with ladder and handrail
- Electrical package for boat & console
- Bow railings, on-tube installation
- Hydraulic steering system
- Premium steering wheel
- Removable bow sundeck kit
- Removable rear sundeck kit
- Removable rear sundeck extension kit
- Removable table with cupholders
- Freshwater set with shower
- Anchor set with electric windlass
- Canvas bimini-top
- Overall, consoles and harbour covers
- SeaDek soft anti-skid flooring
- Keel & tube protector packages
- Black powder coated stainless steel upgrade
- Overpressure valves



GOLDEN LINE G580

LENGTH	BEAM	MAX POWER
585 cm	245 cm	150 hp
CAPACITY	ENGINE SHAFT	WEIGHT
11	L	535 kg



Smart and cozy. A sleek boat, well-known within its range for the clever design, smooth styling and comfort. G580 is a compact but versatile center console perfectly suited for solo and small family use.

Powerful and reliable, this is a luxury RIB boat to have a thrilling cruise, enjoy the waterskiing, sunbathing or just a romantic dinner on.





G580

STANDARD FEATURES

- Fiberglass deep-V hull with self-bailing anti-skid deck
- Transom lockers, bow and rear storage compartments
- Multi-chamber inflatable tube with handles and GRP steps
- Bow step plate with mooring cleat
- Steering console with windshield, seat and storage
- Dashboard for up to 9" screen, with glove box and cupholders
- Helm & passenger seat / bolster with cupholders
- Deck integrated rear seating sofa
- Set of seating cushions and backrests
- Inbuilt fuel system with 90lit / 23gal tank
- Integrated cupholders, cleats, towing & lifting eyes
- Pump, paddles and maintenance kit

OPTIONAL EQUIPMENT

- Navigation & waterski classic roll bar
- Navigation & waterski mast with GRP top, rear handrails
- Rear swimming platforms with ladder and handrail
- Electrical package for boat & console
- Bow railings, on-tube installation
- Hydraulic steering system
- Mechanical steering system
- Premium steering wheel
- Removable bow sundeck-table kit
- Removable bow sundeck extension kit
- Freshwater set with shower
- Canvas bimini-top
- Overall, consoles and harbour covers
- SeaDek soft anti-skid flooring
- Keel & tube protector packages
- Black powder coated stainless steel upgrade
- Overpressure valves



GOLDEN LINE G500

LENGTH	BEAM	MAX POWER
495 cm	230 cm	115 hp
CAPACITY	ENGINE SHAFT	WEIGHT
9	L	435 kg



Versatile and luxurious. A unique boat set at the edge of premium recreational/family RIBs range. It is also often considered as a spacious super yacht tender for up to 9 people.

Fitted with waterski roll bar and large sundeck, it is a cozy family RIB perfect for active yet relaxing cruise, which is a roomy and safe tender simultaneously. Discover limitless possibilities.





G500

STANDARD FEATURES

- Fiberglass deep-V hull with self-bailing anti-skid deck
- Anchor locker, bow and rear storage compartments
- Multi-chamber inflatable tube with handles and GRP stepends
- Bow step plate with mooring cleat
- Steering console with windshield, seat and storage
- Dashboard for up to 9" screen, mechanical steering system and wheel
- Deck integrated rear seating sofa
- Set of seating cushions and backrests
- Inbuilt fuel system with 90lit / 23gal tank
- Integrated cupholders, handrails, cleats, towing & lifting eyes
- Pump, paddles and maintenance kit

OPTIONAL EQUIPMENT

- Navigation & waterski classic roll bar
- Rear swimming platforms with ladder and handrail
- Electrical package for boat & console
- Bow railings, on-tube installation
- Premium steering wheel
- Removable bow sundeck kit
- Removable bow sundeck extension kit
- Freshwater set with shower
- Canvas bimini-top, collapsible
- Overall and harbour covers
- SeaDek soft anti-skid flooring
- Keel & tube protector packages
- Black powder coated stainless steel upgrade
- Hi-prof. console with railing upgrade
- Overpressure valves



GOLDEN LINE G420

LENGTH	BEAM	MAX POWER
420 cm	198 cm	60 hp
CAPACITY	ENGINE SHAFT	WEIGHT
6	L	255 kg



Transfer and more. An agile tender that completes our modern deluxe yacht tender line - the big sister featuring lots of extra functionalities perfect for fun runabouts.

Spacious and clever design brings forth a sundeck and waterski mast options, making it a fun and capable small boat not only to safely transfer guests, but also to ride the waves. Take everything from every journey.





G420

STANDARD FEATURES

- Fiberglass deep-V hull with anti-skid deck
- Bow and rear storage compartments
- Multi-chamber inflatable tube with handles and GRP steps
- Bow step plate with mooring cleats
- Steering console with windshield, seat and storage
- Dashboard for up to 9" screen, mechanical steering system and wheel
- Deck integrated rear seating sofa
- Set of seating cushions and backrests
- Integrated cupholder, handrails, cleats, towing & lifting eyes
- Pump, paddles and maintenance kit

OPTIONAL EQUIPMENT

- Inbuilt fuel system with 55lit / 14gal tank
- Electrical package for boat & console
- Bow railings, on-tube installation
- Waterski towing mast
- Premium steering wheel
- Removable bow sundeck kit
- Canvas bimini-top, collapsible
- Overall and harbour covers
- SeaDek soft anti-skid flooring
- Keel & tube protector packages
- Black powder coated stainless steel upgrade
- Overpressure valves



GOLDEN LINE G380N

LENGTH	BEAM	MAX POWER
360 cm	185 cm	50 hp
CAPACITY	ENGINE SHAFT	WEIGHT
5	L	180 kg



Updated and neat. The mid sister in our luxury yacht tender family. It is a remastered version of our timeless 380 model designed to elevate tendering to modern standards.

Adopting its lightweight build and introducing a modern smart design, this RIB now delivers more power, functionality and comfort, redefining luxury tendering.





G380N

STANDARD FEATURES

- Fiberglass medium-V hull with anti-skid deck
- Bow and rear storage compartments
- Multi-chamber inflatable tube with handles, rails and GRP steps
- Bow step plate with mooring cleat
- Steering console with windshield, seat and storage
- Dashboard for up to 7" screen, mechanical steering system and wheel
- Deck integrated rear seating sofa
- Set of seating cushions and backrests
- Integrated cupholder, cleats, towing & lifting eyes
- Pump, paddles and maintenance kit

OPTIONAL EQUIPMENT

- Inbuilt fuel system with 40lit / 10gal tank
- Electrical package for boat & console
- Double console with side seat & locker
- Waterski towing mast
- Removable side seat kit
- Canvas bimini-top, collapsible
- Overall and harbour covers
- SeaDek soft anti-skid flooring
- Keel & tube protector packages
- Black powder coated stainless steel upgrade
- Overpressure valves



GOLDEN LINE G340N

LENGTH	BEAM	MAX POWER
325 cm	175 cm	40 hp
CAPACITY	ENGINE SHAFT	WEIGHT
4	L	146 kg



Small and mighty. Our tiny tender that opens our elite yacht tender line. The little sister, remastered to reestablish our classic 340 model with modern and functional upgrades.

Kept super lightweight, this small RIB boat now provides an up to 7" screen dashboard, boosted power, comfort and more options, delivering a first class ride and transfer experience.





G340N

STANDARD FEATURES

- Fiberglass medium-V hull with anti-skid deck
- Bow and rear storage compartments
- Multi-chamber inflatable tube with handles, rails and GRP steps
- Bow step plate with mooring cleat
- Steering console with windshield
- Dashboard for up to 7" screen, mechanical steering system and wheel
- Deck integrated rear seating sofa
- Set of seating cushions and backrests
- Integrated cupholder, cleats, towing & lifting eyes
- Pump, paddles and maintenance kit

OPTIONAL EQUIPMENT

- Inbuilt fuel system with 40lit / 10gal tank
- Electrical package for boat & console
- Double console with side seat & locker
- Waterski towing mast
- Removable side seat kit
- Canvas bimini-top, collapsible
- Overall and harbour covers
- SeaDek soft anti-skid flooring
- Keel & tube protector packages
- Black powder coated stainless steel upgrade
- Overpressure valves



GOLDEN LINE G340/G380

LENGTH 330/360 cm	BEAM 176/186 cm	MAX POWER 30/40 hp
CAPACITY 4/5	ENGINE SHAFT S/L	WEIGHT 129/170 kg



Classic and fair. Our honored tenders that started the whole Golden Line series over a decade ago. Well established over the years as extremely lightweight, economical and elegant small RIBs.

Throughout the years, these boats made it to hundreds of yachts, transferred thousands of people and introduced many youngsters to the joys of boating.





G380

STANDARD FEATURES

- Fiberglass medium-V hull with anti-skid deck
- Bow and rear storage compartments
- Multi-chamber inflatable tube with handles, rails and GRP steps
- Bow step plate with mooring cleat
- Steering console
- Mechanical steering system and wheel
- Deck integrated rear seating sofa
- Set of seating cushions and backrests
- Integrated cleats, towing & lifting eyes
- Pump, paddles and maintenance kit

OPTIONAL EQUIPMENT

- Inbuilt fuel system with 40lit / 10gal tank
- Electrical package for boat & console
- Removable side seat kit
- Canvas bimini-top, collapsible
- Overall and harbour covers
- SeaDek soft anti-skid flooring
- Keel & tube protector packages
- Black powder coated stainless steel upgrade
- Overpressure valves



G340

DRIVE SERIES

Release the adrenaline with our most recent Drive Line series. Featuring a fast hull, dynamic design and luxury accents, it stands out as a mix of a functional modern cruiser and a professional speed boat. Such a combination is determined by an agile high-performance hull, with an extra durable “work boat” build, and a widely customizable deck that provides various layout solutions. Whether it is a fun recreational watercraft, support and patrol vessel, or a commercial RIB - Drive Line boats handle any challenge with ease, comfort and unique style.



DRIVE D950

Primarily designed for commercial purposes, it embraces the modularity concept and introduces a two-stepped V hull, twin engine with two independent tanks, and a super practical, purpose-driven built. The deck layout is as open as possible, with rear section raised by 18 cm off of the main deck to allow more configuration options and a built-in bow step. Thoughtful ergonomics provide multiple L & M sized lockers for nearly any kind of equipment, and it gets even better once configured to a preferred layout. We've established three main ones - but feel free to build your own.

ADVENTURE

First and most common layout is a well-known "taxi RIB" version, featuring a console and two single suspension seats for helm and passenger on the raised aft section. With workability and safety in mind the driver gets his optimal viewing angle while the passengers get up to six pairs of sturdy double jockey seats on that big deck in front. Altogether, it's a large, high-speed tour RIB for up to 12 passengers - the perfect vessel for nautical tourism and adventure sightseeing.



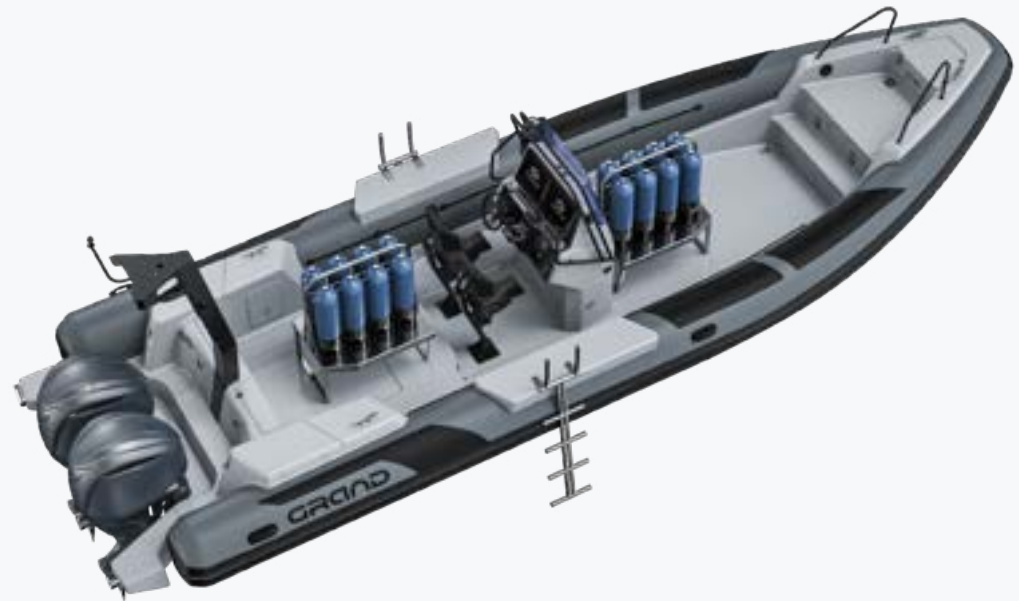
EXPLORER

Another basic, but lighter and neater built for private or work use. The console with the helm and passenger seats are mounted in the center, and a pair of double jockey seats put in front. This layout leaves the rear section completely open and adds some extra room in the bow for flexible use. Complete the build with a Hard-top and a radar on top of it, and here it is - a quick & strong work boat ready to dash offshore or a roomy & practical fishing RIB for a large company.



DIVE

The last basic layout for professional use. This configuration has the steering console sit in the center, or in the rear (if preferred). With plenty of room and storage lockers around the boat, and a couple of durable stainless steel benches for diving or other gear it becomes a handy dive platform. Of course, for maximum comfort and convenience it also features on-tube side platforms with open ladders, making it the perfect diving companion to go explore the underwater world.





DRIVE D950

LENGTH	BEAM	MAX POWER
954 cm	319 cm	1 x 700 hp 2 x 350 hp
CAPACITY	ENGINE SHAFT	WEIGHT
14	1 x XXL 2 x XL	2160 kg



The Drive D950 is a large B category offshore RIB, built around a modular concept to deliver exceptional versatility, capacity and performance. Seating up to 14 people, it features a reinforced two-stepped deep-V hull and an open, configurable deck, making it a robust platform that easily adapts to both commercial and recreational use. Rated for up to 700HP with optional twin-engine installation, it offers outstanding power and control even in demanding sea conditions.





STANDARD FEATURES

- Fiberglass two-stepped deep-V hull with self-bailing anti-skid deck
- Anchor and transom lockers, bow and rear storage compartments
- Multi-chamber inflatable tube with life line rope
- Bow step platform with mooring cleats
- Steering console with windshield and storage
- Dashboard for up to 2x17" screen, with glove box and cupholders
- Inbuilt fuel system with 2x300lit / 2x79gal tanks
- Integrated cleats, towing & lifting eyes
- Electrical package for boat & console
- Pump, paddles and maintenance kit
- Black powder coated stainless steel

OPTIONAL EQUIPMENT

- Widely customizable deck-console-seats layout
- Double jockey seats with storage, up to 6 pairs (12 seats)
- Suspension sports seats, adjustable
- Professional Ulman Biscaya sports seats
- Diving equipment benches, up to 3 units
- On-tube side platforms with ladders
- Navigation & waterski mast with handrail
- Rear swimming platforms with ladder and handrail
- Bow railings, on-bow step platform installation
- Premium steering wheel
- Canvas T-top
- Jockey seats and harbour covers
- Overpressure valves



DRIVE D600

With modularity as one of the key features of the entire Drive Line series, the D600 was the first model to introduce our true vision of modern-day adaptability. It all starts with a high-performance, extra-deep V hull and a simple yet ergonomic deck design. Stripped down to its open deck, this model becomes a blank canvas for creativity — a foundation for endless customization. From that idea, we developed three of the most versatile and appealing versions. Of course, you're always free to take it even further.



LUX

Featuring a center console layout with a double pivot bolster seat for the helm and passenger, the Lux version is the most refined of the three — offering maximum comfort and style. With plenty of storage across numerous M- and S-sized lockers, generous seating, and large sunbeds with bow and rear sundeck extensions, this model is designed to be the perfect family RIB for relaxed cruising and leisure.



ACTIVE

Built on the same center console layout, the Active version swaps the bolster seat for a pair of single sport seats — focusing on practicality and versatility. Remove the extra cushions and sunbeds, and it becomes a capable work or patrol boat. Take off the front console seat and add SeaDek to the lockers, and you've got yourself a spacious, functional fishing setup ready for adventure.



DRIVE

This configuration features a stern-mounted steering console with a single sport seat for the driver and up to five jockey seats for passengers — ideal for nautical tourism as a compact and efficient taxi RIB. Replace the jockey seats with a bench, add side ladders, and you'll have a practical yet roomy diving RIB that makes the most of every inch of deck space.



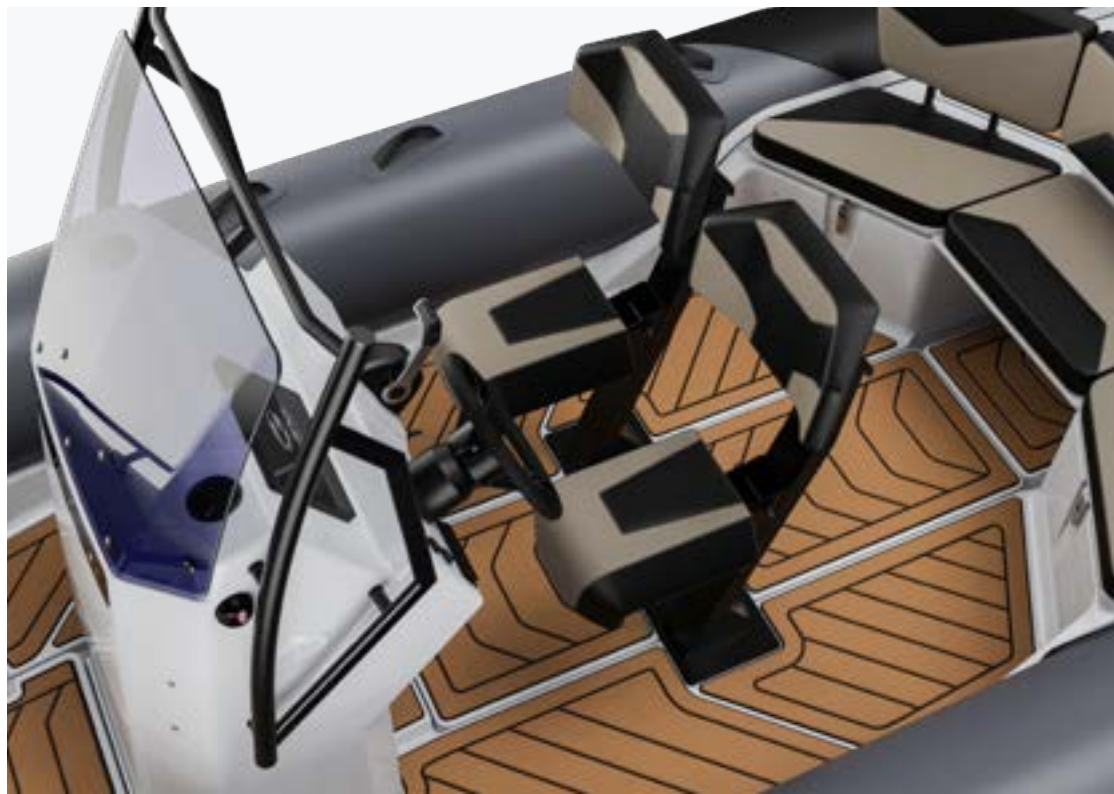


DRIVE D600

LENGTH	BEAM	MAX POWER
612 cm	250 cm	150 hp
CAPACITY	ENGINE SHAFT	WEIGHT
12	XL	597/626/596 kg



The Drive D600 is a mid-size C category RIB designed to deliver the perfect balance between performance, adaptability, and practicality. Powered by up to 150 HP and seating up to 12 passengers, it offers a spacious and stable platform built on a high-performance, extra-deep V hull that ensures excellent handling and seaworthiness even in challenging conditions.





STANDARD FEATURES

- Fiberglass deep-V hull with self-bailing anti-skid deck
- Anchor, transom and underdeck lockers, bow and rear storage compartments
- Multi-chamber inflatable tube with handles
- Bow step plate with mooring cleats
- Central steering console with windshield & removable seat (LUX & ACTIVE)
- Rear steering console with windshield (DRIVE)
- Dashboard for up to 16" screen, with cupholders
- Helm & passenger seat / bolster (LUX)
- Suspension sports seats, adjustable (ACTIVE & DRIVE)
- Deck integrated rear seating sofa
- Set of seating cushions and backrests
- Inbuilt fuel system with 14lit / 38gal tank
- Integrated cleats, towing & lifting eyes
- Pump, paddles and maintenance kit
- Black powder coated stainless steel



OPTIONAL EQUIPMENT

- Single jockey seats with storage, up to 5pcs (DRIVE)
- Navigation & waterski mast, rear handrails
- Rear swimming platforms with ladder and handrail
- Electrical package for boat & console
- Bow railings, on-tube installation
- Hydraulic steering system
- Mechanical steering system
- Premium steering wheel
- Removable bow sundeck kit (LUX & ACTIVE)
- Removable rear sundeck kit (LUX)
- Freshwater set with shower
- Canvas T-top
- Canvas bow Sun-top, w/ T-top only (LUX & ACTIVE)
- Canvas rear Sun-top, w/ T-top only (LUX & ACTIVE)
- Overall, consoles and harbour covers
- SeaDek soft anti-skid flooring
- Keel & tube protector packages
- Overpressure valves

SILVER LINE SERIES

Designed with practicality and efficiency in mind, the Silver Line boats range offers tender solutions that are both functional and elegant. Lightweight, spacious and cost-effective build makes them helpful and reliable sailboat tenders. However, with three deck layouts to choose from - Open, Sport, and Lux – mid-sized Silver Line models still provide alternatives in use as a capable leisure boat. Cruise a nice and fair family RIB with the Lux, ride a fun and thrilling sports RIB with the Sport, or enjoy diving and fishing with the Open. Define your own style.





SILVER LINE S470

MODEL	LENGTH	BEAM	SHAFT	CAPACITY	WEIGHT	POWER
	cm	cm	size	ppl	kg	hp
S470N	470	205	L	8	170	70
S470NS	470	205	L	8	200	70
S470NL	470	205	L	8	208	70



Economic and versatile. Practical and functional RIB, with a lightweight and efficient hull - S470 is built to suit various purposes including an uncomplicated main family boat. Prioritizing functionality over luxury.

Recreational luxury RIB and classy yacht tender with the Lux version, agile little sports RHIB with the Sport version, or simple and spacious dinghy with the Open version - the unparalleled versatility.





S470 SPORT

STANDARD FEATURES

- Fiberglass medium-V hull with anti-skid deck
- Bow storage compartment
- Multi-chamber inflatable tube with handles
- Open spacious deck (OPEN version)
- Jockey seat console with windshield and storage (SPORT version)
- Steering console with windshield, seat and storage (LUX version)
- Helm & passenger double seat with storage (LUX version)
- Mechanical steering system and wheel (SPORT and LUX)
- Set of seating cushions and backrests (SPORT and LUX)
- Integrated towing & lifting eyes
- Pump, paddles and maintenance kit

OPTIONAL EQUIPMENT

- Navigation classic roll bar, folding
- Electrical package for boat & console
- Bow step plate with mooring cleat
- GRP steps of the inflatable tube
- Removable bow sundeck kit (LUX)
- Canvas bimini-top, collapsible
- Overall and consoles covers
- SeaDek soft anti-skid flooring (LUX)
- Keel & tube protector packages
- Black powder coated stainless steel upgrade
- Overpressure valves



S470 LUX



SILVER LINE S370/S420

MODEL	LENGTH	BEAM	SHAFT	CAPACITY	WEIGHT	POWER
	cm	cm	size	pp1	kg	hp
S370N	370	185	S	5	95	30
S370NS	370	185	S	5	120	30
S370NL	370	185	S	5	124	30
S420N	420	195	L	8	115	50
S420NS	420	195	L	8	145	50
S420NL	420	195	L	8	145	50



Flexible and portable. Nearly weightless S370 and S420 have been primarily designed to provide a reliable and practical dinghy solution for connection with the mainland. The ultimate adventure companion.

Available in Open, Sport, and Lux layouts they bring forth nice and neat alternatives in style and use applications. Multipurpose and elegant tenders to complete a yacht setup, go fishing or to have a little leisure ride on.





S370 SPORT

STANDARD FEATURES

- Fiberglass medium-V hull with anti-skid deck
- Bow storage compartment
- Multi-chamber inflatable tube with handles
- Open spacious deck with two wooden benches (OPEN version)
- Jockey seat console with windshield and storage (SPORT version)
- Steering console with windshield, seat and storage (LUX version)
- Helm & passenger double seat with storage (LUX version)
- Mechanical steering system and wheel (SPORT and LUX)
- Set of seating cushions and backrests (SPORT and LUX)
- Integrated towing & lifting eyes
- Pump, paddles and maintenance kit

OPTIONAL EQUIPMENT

- Navigation classic roll bar, folding
- Electrical package for boat & console
- Bow step plate with mooring cleat
- GRP steps of the inflatable tube
- Removable bow sundeck kit (LUX)
- Removable seat cushion with underbag (OPEN)
- Canvas bimini-top, collapsible
- Overall and consoles covers
- SeaDek soft anti-skid flooring (LUX)
- Keel & tube protector packages
- Black powder coated stainless steel upgrade
- Overpressure valves



S370 LUX



SILVER LINE S275/300/330

MODEL	LENGTH	BEAM	SHAFT	CAPACITY	WEIGHT	POWER
	cm	cm	size	ppl	kg	hp
S275	275	155	S	3	53	10
S300	300	167	S	4	56	20
S300S	300	167	S	4	77	20
S300L	300	167	S	4	77	20
S330	330	169	S	4	63	25
S330S	330	169	S	4	84	25
S330L	330	169	S	4	85	25



Small and handy. Simple, low-maintenance and reliable classic dinghies, that are primarily used as open sailboat tenders to travel light.

Tiny tenders S275, S300 and S330 are super lightweight in its Open version and just slightly heavier with the Lux version of a classy yacht tender RIB (S300 and S330).





S300 SPORT

STANDARD FEATURES

- Fiberglass medium-V hull with anti-skid deck
- Multi-chamber inflatable tube with handles
- Open spacious deck with two wooden benches (OPEN)
- Jockey seat console with storage (S300-S330 SPORT)
- Steering console (S300-S330 LUX)
- Helm & passenger double seat with storage (S300-S330 LUX)
- Mechanical steering system and wheel (S300-S330 SPORT & LUX)
- Set of seating cushions and backrests (S300-S330 SPORT & LUX)
- Integrated towing & lifting eyes
- Pump, paddles and maintenance kit

OPTIONAL EQUIPMENT

- Console's side seat with storage (S300-S330 LUX)
- Bow step plate with clam bollard (S300-S330)
- GRP steps of the inflatable tube
- Removable seat cushion with underbag (OPEN)
- Canvas bimini-top, collapsible
- Overall and harbour covers
- SeaDek soft anti-skid flooring (S300-S330 LUX)
- Keel & tube protector packages
- Overpressure valves



S330 LUX

TECHNICAL DATA SPECIFICATION

Remarks: * The bare boat weight is just a weight of the empty boat without any removable accessories.
 ** The transport weight is the weight of the complete boat in standard package.
 *** Because of differences of local boatbuilding standards The Loading Capacity and Maximum Engine Power may vary by country. Please check that with your local GRAND representatives/Dealers.
 **** Boat design Category under European Union Directive 2013 /53/ EU.

SERIES GOLDEN LINE

MODELS		G980L	G850L	G750L	G680LF	G650LF	G580LF	G500LF	G420LF	G380EF	G340EF	G380N	G340N
Length overall	cm/ ft&inch	1000 / 33'	850 / 27'11"	730 / 23'11"	680 / 22'3"	650 / 21'4"	585 / 19'2"	495 / 16'3"	420 / 13'9"	360 / 11'10"	330 / 10'10"	360 / 11'10"	325 / 10'8"
Length internal	cm/ ft&inch	800 / 26'	640 / 21'0"	557 / 18'3"	509 / 16'58"	440 / 14'5"	427 / 14'0"	332 / 10'11"	280 / 9'2"	270 / 8'10"	240 / 7'10"	240 / 7'10"	260 / 8'6"
Width overall	cm/ ft&inch	340 / 11'15"	295 / 9'8"	285 / 9'4"	264 / 8'7"	265 / 8'8"	245 / 8'0"	230 / 7'7"	198 / 6'6"	186 / 6'1"	176 / 5'9"	185 / 6'1"	175 / 5'9"
Width internal	cm/ ft&inch	190 / 6'23"	175 / 5'9"	170 / 5'7"	150 / 4'11"	150 / 4'11"	145 / 4'9"	128 / 4'2"	100 / 3'3"	88 / 2'11"	80 / 2'7"	94 / 3'1"	80 / 2'7"
Tube diameter	cm/inch	60 / 24"	60 / 24"	58 / 22"	55 / 21'7"	55 / 21'7"	50 / 20"	50 / 20"	48 / 19"	46 / 18"	43 / 17"	45 18"	45 / 18"
Bare boat weight	kg/lbs	2350/5181	1200 / 2640	950 / 2094	740 / 1631	620 / 1367	535 / 1177	435 / 957	255 / 562	170 / 374	129 / 284	180 / 397	146 / 322
Transport gross weight	kg/lbs	2410/5313	1680 / 3704	1250 / 2756	860 / 1896	730 / 1609	650 / 1430	550 / 1210	330 / 726	235 / 518	195 / 429	280 / 617	204 / 450
Loading capacity	kg/lbs	2000 / 4409	1972 / 4348	1160 / 2557	1150 / 2535	1300 / 2866	1200 / 2646	1000 / 2205	750 / 1653	650 / 1430	580 / 1276	650 / 1430	480 / 1058
Passenger capacity		12/18	12/16	10/14	12	12	11	9	6	5	4	5	4
N° of chambers		7	5	5	5	5	5	5	4	3	3	3	3
Engine recommended	hp/kW	2 x 300 2 x 220,6	300 / 220,6	200 / 150	150 / 110,3	150 / 110,3	130 / 95,6	90 / 66,2	50 / 36,8	30 / 22,1	20 / 14,7	40 / 29,4	30 / 22,1
Engine max	hp/kW	1x 700 or 2 x 350 1x 522 or 2 x 260	1x 400 or 2 x 200 1x 298 or 2 x 147	300 / 220,6	200 / 147,1	200 / 147,1	150 / 110,3	115 / 84,6	60 / 44,1	40 / 29,4	30 / 22,1	50 / 36,8	40 / 29,4
Engine weight max	kg/lbs	700 / 1543	500 / 1102	300 / 661	280 / 617	300 / 661	240 / 529	210 / 462	120 / 265	95 / 209	70 / 154	115 / 253	105 / 232
Engine shaft length	inches	1x 30" (ultra long) 2 x 25" (extra long)	1x 30" (ultra long) 2 x 25" (extra long)	25" (extra long)	25" (extra long)	20" (long)	20" (long)	20" (long)	20" (long)	20" (long)	15" (short)	20" (long)	20" (long)
Midsection/aft deadrise	degrees	30° / 22°	30° / 25°	25° / 20°	24° / 21°	25° / 20°	20° / 17°	21° / 18°	20° / 17°	17° / 15°	17° / 14°	17° / 15°	18° / 17°
Stowed dimensions of package N° 1	cm/ ft&inch	1000 / 270 / 290 33' / 8'10" / 9'6"	869 / 230 / 260 28'6" / 7'7" / 8'6"	763 / 230 / 132 25'0" / 7'7" / 4'4"	670 / 240 / 130 21'12" / 7'11" / 4'3"	640 / 230 / 127 20'12" / 7'7" / 4'2"	590 / 225 / 117 19'4" / 7'5" / 3'10"	505 / 225 / 110 16'7" / 7'5" / 3'7"	410 / 190 / 101 13'5" / 6'3" / 3'4"	358 / 160 / 88 11'9" / 5'3" / 2'11"	322 / 150 / 82 10'7" / 4'11" / 2'8"	358 / 160 / 89 11'9" / 5'3" / 2'11"	304 / 129 / 82 9'12" / 4'3" / 2'8"
Stowed dimensions of package N° 2	cm/ ft&inch			157 / 119 / 132 5'2" / 3'11" / 4'4"	110 / 74 / 112 3'7" / 2'5" / 3'8"	110 / 106 / 120 3'7" / 3'6" / 3'11"	130 / 112 / 124 4'3" / 3'8" / 4'1"	132 / 119 / 94 4'4" / 3'11" / 3'1"	110 / 72 / 98 3'7" / 2'4" / 3'3"	83 / 51 / 81 2'9" / 1'8" / 2'8"	49 / 49 / 80 17" / 1'7" / 2'7"	90 / 95 / 85 2'11" / 3'1" / 2'9"	51 / 83 / 81 1'8" / 2'9" / 2'8"
Stowed dimensions of package N° 3	cm/ ft&inch			120 / 82 / 119 3'11" / 2'8" / 3'11"	120 / 110 / 125 3'11" / 3'7" / 4'1"	105 / 65 / 95 3'5" / 1'10" / 3'1"	105 / 56 / 95 3'5" / 1'10" / 3'1"						
Tube material		Hypalon	Hypalon	PVC / Hypalon	PVC / Hypalon	PVC / Hypalon	PVC / Hypalon	PVC / Hypalon	PVC / Hypalon	PVC / Hypalon	PVC / Hypalon	PVC / Hypalon	PVC / Hypalon
Boat design category		B/C	B/C	B/C	C	C	C	C	C	C	C	C	C

All the technical data are subject to change without notice. The products trim may be changed from the originally specified. All the dimensions are + or - 3%. All the weights are + or - 10%. Products availability, trim and specifications may vary by country. Please contact your local Dealer / Distributor for update information. The pictures in the catalogue were taken with the professional operators in strictly controlled conditions.

Please never try any activity, which is beyond your capabilities, nor which is potentially dangerous. Always wear appropriate and approved life vest or other personal flotation devices and appropriate clothing. Follow the User's manual instructions for the boat and the engine. Make sure that you read and clearly understand all the restrictions and limitations. HAVE A SAFE BOATING!

SILVER LINE

DRIVE

SERIES

S470N/NS/NL	S420N/NS/NL	S370N/NS/NL	S330/S/L	S300/S/L	S275	D950	D600 LUX	D600 ACTIVE	D600 DRIVE	MODELS
470 / 15'5"	420 / 13'9"	370 / 12'2"	330 / 10'10"	300 / 9'10"	275 / 9'0"	954 / 31'4"	612 / 20'1"	612 / 20'1"	612 / 20'1"	Length overall
340 / 11'2"	310 / 10'2"	270 / 8'10"	218 / 7'2"	200 / 6'7"	182 / 6'0"	594 / 19'6"	440 / 14'5"	440 / 14'5"	440 / 14'5"	Length internal
205 / 6'9"	195 / 6'5"	185 / 6'1"	169 / 5'7"	167 / 5'6"	155 / 5'1"	319 / 10'6"	250 / 8'2"	250 / 8'2"	250 / 8'2"	Width overall
105 / 3'4"	101 / 3'4"	92 / 3'0"	78 / 2'7"	78 / 2'7"	70 / 2'4"	195 / 6'5"	154 / 5'1"	154 / 5'1"	154 / 5'1"	Width internal
50 / 20"	46 / 18"	46 / 18"	43 / 17"	43 / 17"	40 / 16"	40/60/16"/24"	50 / 20"	50 / 20"	50 / 20"	Tube diameter
170-208/374-458	115-145/253-319	95 -124/209-273	63-84,9/39-187	56-77/123-169	53 / 117	2160 / 4761	597 / 1316	596 / 1314	626 / 1380	Bare boat weight
226-265/497-583	178-209/392-460	158-185/347-407	99 -126/218-277	91-112/200-246	87 / 191	2310 / 5093	707 / 1559	706 / 1556	746 / 1645	Transport gross weight
900 / 1980	650 / 1430	600 / 1320	580 / 1276	520 / 1144	440 / 968	2000 / 4410	1100 / 2425	1100 / 2425	1100 / 2425	Loading capacity
8	8	5	4	4	3	14	12	12	12	Passenger capacity
5	3	3	3	3	3	7	5	5	5	N° of chambers
50 / 36,8	40 / 29,4	25 / 18,4	15 / 11	10 / 7,4	6 / 4,4	1 x 500 or 2x 250 1 x 372.8 or 2x186.4	130/95,6	130/95,6	130/95,6	Engine recommended
70 / 51,5	50 / 36,8	30 / 22,1	25 / 18,4	20 / 14,7	10 / 7,4	1 x 700 or 2x 350 1 x 514.7 or 2x 257.4	150 / 110,3	150 / 110,3	150 / 110,3	Engine max
150 / 330	115 / 253	80 / 176	70 / 154	50 / 110	45 / 99	700 / 1543	250 / 550	250 / 550	250 / 550	Engine weight max
20" (long)	20" (long)	15" (short)	15" (short)	15" (short)	15" (short)	1 x 30" (ultra long) 2 x 25 (extra long)	25" (extra long)	25" (extra long)	25" (extra long)	Engine shaft length
20° / 15°	20° / 17°	20° / 17°	19° / 15°	19° / 15°	17° / 15°	30° / 22°	22° / 22°	22° / 22°	22° / 22°	Midsection/aft deadrise
400 / 180 / 73 13'1" / 5'11" / 2'5"	355 / 130 / 72 11'8" / 4'4" / 2'4"	303 / 140 / 65 9'11" / 4'7" / 2'2"	264 / 141 / 57 8'8" / 4'8" / 1'10"	250 / 130 / 52 8'2" / 4'3" / 1'8"	230 / 135 / 54 7'7" / 4'5" / 1'9"	230 / 954 / 258 7'6" / 31'4" / 8'6"	624 / 224 / 124 20'6" / 7'4" / 4'1"	624 / 224 / 124 20'6" / 7'4" / 4'1"	624 / 224 / 124 20'6" / 7'4" / 4'1"	Stowed dimensions of package N° 1
97 / 64 / 93 3'2" / 2'2" / 3'1"	83 / 51 / 86 2'9" / 1'8" / 3'0"	83 / 51 / 86 2'9" / 1'8" / 3'0"	50 / 45 / 78 1'7" / 1'6" / 2'7"	50 / 45 / 78 1'7" / 1'6" / 2'7"		105 / 130 / 150 3'5" / 4'3" / 4'11"	105 / 95 / 125 3'5" / 3'1" / 4'1"	105 / 95 / 125 3'5" / 3'1" / 4'1"	105 / 95 / 125 3'5" / 3'1" / 4'1"	Stowed dimensions of package N° 2
114 / 58 / 84 3'9" / 1'11" / 2'9"	94 / 54 / 73 3'1" / 1'9" / 2'5"	94 / 54 / 73 3'1" / 1'9" / 2'5"		80 / 54 / 70 2'8" / 1'9" / 2'4"			120 / 60 / 96 3'11" / 1'11" / 3'2"	120 / 60 / 96 3'11" / 1'11" / 3'2"	120 / 60 / 96 3'11" / 1'11" / 3'2"	Stowed dimensions of package N° 3
PVC / Hypalon	PVC / Hypalon	PVC / Hypalon	PVC / Hypalon	PVC / Hypalon	PVC / Hypalon	Hypalon	PVC / Hypalon	PVC / Hypalon	PVC / Hypalon	Tube material
C	C	C	C	C	D	B	C	C	C	Boat design category

DISTRIBUTION NETWORK

Grand Inflatable Boats are available in over 40 countries worldwide and represented by over 30 Authorized Regional Distributors with their own local dealer network. Our team of the best marine industry professionals provides fast and easy access to our products, along with the exceptional customer service and aftercare. Grand RIBs are instantaneously accessible from the distributors' stock and/or to be shortly delivered with our non-stop monthly dispatches. Find your local agent now.

CANADA

GRAND MARINE INTRNATIONAL INC.
176 Rivermede Rd., Unit 2,
Concord, Ontario, L4K3M7 CANADA
Tel: +1-905-7608519
+1-905-7608719
mail@grandboats.ca
grandinflatableboats.com

CYPRUS

GRAND RIBS LTD
31 Kennedy av, Nicosia, 1076,
Cyprus
Tel: +357 97 684469
grandribscyprus.com

CROATIA / SLOVENIA / SERBIA / ALBANIA / KOSOVO / NORTH MACEDONIA / MONTENEGRO

MOTO-NAUTIKA DOO
Ptujaska cesta 63,2204
Miklavz pri Mariboru, Slovenia
Tel: +386 2629 0400
+386 2620 2600
info@moto-nautika.com
grandboats-adriatic.com

DENMARK

SAILDIRECT APS
Essen 46, Kolding, 6000,
Denmark
Tel: +45 4086 0882
info@saildirect.dk
saildirect.dk

CZECH REPUBLIC /SLOVAKIA

AVAR-YACHT S.R.O.
Za Rekou 815, 66471
Veverska Bityska, Czech republic
Tel: +420 546 428 015
yacht@avaryacht.cz
avaryacht.cz

FRANCE

TONI MARINE
645 route Saint Honore
83250 La Londe, France
Tel: +33 0494 35 08 47
+33 0683 53 38 91
contact@tonimarine.fr
www.tonimarine.fr



MAIN OFFICE / FACTORY

Zaluzhna str. 18a, Solonicevka 62370,
Dergachevsky distr., Kharkivska obl., UKRAINE
grandboats.com
mail@grandmarine.com.ua

AUSTRALIA

GRAND BOATS AUSTRALIA PTY LTD
16 Demand Avenue, Arundel,
Queensland, 4214, Australia
Tel: +61 481 167 828
info@grandboats.com.au
grandboats.com.au

CHILE

PACIFIC RANGE
Av. La Dehesa 222, office 808, Lo
Barnechea, Santiago, Chile
Tel: +56 9 9689 9000
info@pacificrange.cl
pacificrange.cl

FINLAND / ESTONIA / LATVIA / LITHUANIA

VIP GLOBAL SOLUTIONS
Oü, Salve tn 3A, 11612, Tallinn, Estonia
Tel: +372 5677 6699
sales@grandboatsnordic.com
grandboatsnordic.com

GERMANY / AUSTRIA / SWITZERLAND

MS MARINE GMBH
 Gewerbegebiet Ost 31-92353
 Postbauer - Heng, Germany
 Tel: +49 (0)631 41559836
 Fax: +49/(0)9188/3079897
 post@ms-marine.de
 ms-marine.de

MALTA

PETECRAFT LTD
 MRA 13B, Industrial Estate Marsa,MRS
 3000, Malta
 Tel: +356 21 498 113
 +356 99 47 03 80
 info@petecraft.com
 petecraft.com

NORWAY

GOVI AS
 Skytterheia 15,
 4790 Lillesand,
 Norway
 govi.no

SPAIN, MAINLAND

GRAND MARINE, S.L.
 Spain, Valencia, 46024,
 Camino Canal 91, Local T-21
 Tel: +34 604 851846
 mail@grandmarine.es
 GrandMarine.es

UKRAINE

GERMANTON
 Zatishnaya, 7-B, Kiev, 02081 Ukraine
 Tel: +38067 545 80 64
 info@grandboats.kiev.ua
 grandboats.kiev.ua

GREECE / BULGARIA / ROMANIA

LEADMAR LTD
 31 Vouliagmeme Avenue Glyfada, 16675,
 Athens Greece
 Tel: +30 210 9700 200
 info@grandboats.gr
 grandboats.gr

NETHERLANDS / BELGIUM / LUXEMBURG

GRAND MARINE BENELUX B.V.
 Oostschans 60, 4463 AM Goes,
 Netherlands
 Info@grandboats.nl
 grandboats.nl

POLAND

GERMANTON
 Plac Kaszubski 8, lok. 205
 Gdynia, 81-350, Poland
 Tel: +48690078064
 +48790784064
 info@grandboats.pl
 grandboats.pl

SPAIN, BALEARIC ISLANDS

MULTIMARINE ALCUDIA S.L.
 Paseo Maritimo,
 Local 11, 07410 Puerto de Alcudia
 Mallorca, Spain
 Tel: +34 971 897023
 comercial@multimaralcludia.es
 multimaralcludia.es

UNITED ARAB EMIRATES (UAE)

EMPIRE MARINE INTERNATIONAL LLC
 DY115, Al Jaddaf Dubai, UAE
 +971 4 324 0300
 +971 4 324 0900
 info@empire-marine.com
 empire-marine.com

HUNGARY

RIBSTORENET MARINE KFT
 58-62. Bojtár Str., Budapest 1037, Hungary
 Tel: +36 70 501 1846
 a.molnar@ribstore.net
 ribstorebudapest.hu

NORH CYPRUS

Fisher Town San Ve Tic Sti Ltd
 15 Ağustos Bulvarı Larnaka Yolu Mağusa
 North Cyprus, 99450
 Tel: +90 533 8340850
 info@fisher-town.com
 fishertown.com.tr

PORTUGAL

ABG SALES DIVISION LDA
 Algarve Boat Sales, Marina de Lagos, Loja
 11, Lagos 8600-780, Portugal
 Tel: +351 282 045109
 sean@algarveboatgroup.com
 algarveboatsales.com

SWEDEN

RODINS MARIN AB
 Ulvegropsvägen 1, 45175 Uddevalla,
 Sweden Mallorca, Spain
 Tel: +46 (0) 522 99 888
 rodins@rodinsmarin.se
 rodinsmarin.se

UNITED KINGDOM / IRELAND

WILLS MARINE LTD
 The Quay, Kingsbridge,
 South Devon, TQ7 1JF, UK
 Tel: +44 1548 852424
 +44 7494 674 764
 info@willsmarine.co.uk
 grand-boats.co.uk

MARTINIQUE

CONTINENTAL MARINE CENTER INC.
 SARM, Martinique 23 rue du Four à Chaux,
 97232, Lamentin, Martinique
 +596-596 51 11 57
 +596-696 29 51 11
 yahmahawi@orange.fr

NEW ZEELAND

GRAND BOATS NZ
 545 Waterways Parade, Pauanui, Waikato,
 New Zealand
 Tel: +64 021 988815
 Sales@grandinflatables.co.nz

QATAR

THE MARINE PLACE WLL
 Porto Arabia, The Pearl-Qatar
 Doha, Qatar Unit #277,
 Ground Floor Parcel #2,
 22LA CROISSETTE
 Tel: +974-441 151 51
 +974-662 185 28
 ravi@themarineplace.com

TURKEY

MERKUR SPOR MALZEMEMEREI PAZ
 A.S,Cavusoglu Mah. Spor Cad. No: 84 / A,
 Kat: 2 Kartal – Istanbul / Türkiye
 Tel: +90 216 4945354
 Fax:+90 216 4945813
 Gms: +90 544 4484724
 info@mercurysport.com
 mercurysport.com

USA

MS MARINE USA
 P.O.Box 808
 Riverview, Florida, 33568-0808
 sales@grandboats.us
 grandboats.us

